

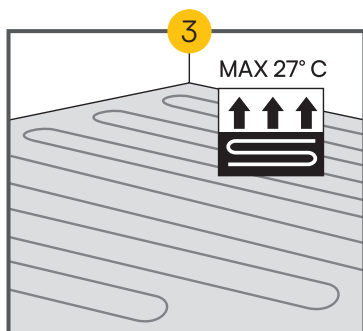
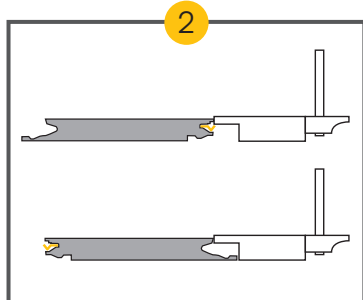
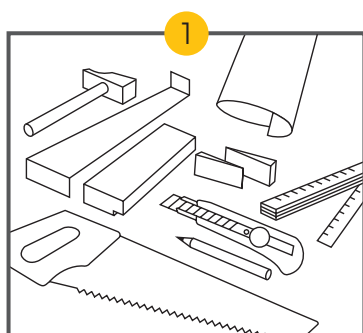
## INSTALLATION INSTRUCTIONS

### SWING

UNIFIT<sup>®</sup>  
PATENTED TECHNOLOGY

Dear customer,

Thank you for purchasing our Parky floor. It is essential to carefully read these instructions before starting the installation. Failure to comply with these instructions will render the installer fully responsible.



### INSTALLATION MATERIALS 1

- Parky Installation Kit (Tapping block - Expansion spacer - Pull bar)
- Quality underlay:
  - Parky with an integrated cork layer: Damp-proof foil
  - Parky without an integrated cork layer: Basic or Silent underlay
- Parky waterproof tape
- Hammer, pencil, saw, cutter and measuring stick

Do not use glue, screws or nails during for the Parky floating installation..

For glued-down installation, see instructions on [www.par-ky.com/en/downloads](http://www.par-ky.com/en/downloads).

Never hit the planks directly with a hammer.

Always use the tapping block to protect the edges of the planks. 2

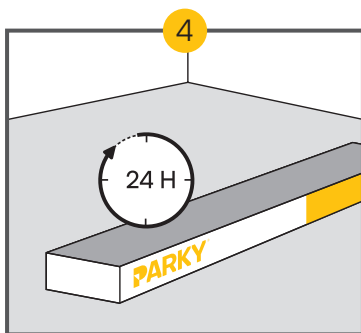


### UNDERFLOOR HEATING AND COOLING 3

Parky floors can be installed over underfloor heating and cooling. Follow the instructions of the floor heating or cooling manufacturer.

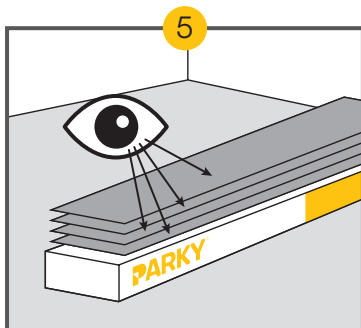
The maximal contact temperature may not exceed 27°C (80°F).

You can find our installation instructions on [www.par-ky.com](http://www.par-ky.com).



## STORAGE

Store your Parky floor in a perfectly dry and protected room with an air humidity of 40 to 60% and a temperature of 16 to 21° C (61-70° F). To prevent deformation, avoid placing the boxes directly on the ground or in direct sunlight. Warning: do not open the boxes until the moment of installation.

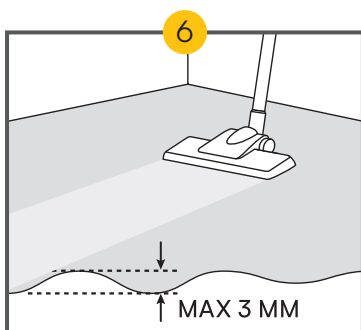


## PREPARATIONS

Place the Parky packs in the relevant room 24 hours before installation. Place them in the middle of the room and never against a wall. **4**

Open the packs just before installation.

Carefully inspect each plank. Do not install planks with defects. **5**

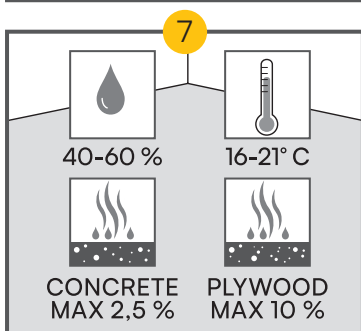


Remark: veneer flooring is a natural product and therefore unique so no planks are identical. Minor variations in colour and structure are normal. Small natural marks such as knots and mineral streaks are tolerated and have no effect on the quality of the floor. We strongly advise you to use the same production batch per room to obtain the most uniform result. You can find the production number on the groove of each plank and we highly recommend not to mix two different batches.

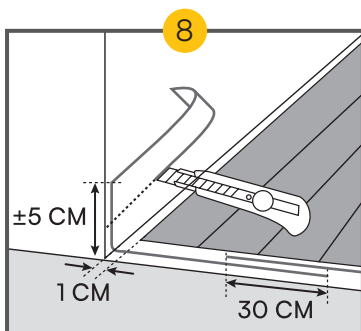
Defects in the subfloor have to be repaired.

The subfloor must be:

- Clean and dust-free. **6**
- Sound. Any loose fragments should be removed or reattached.
- Flat. The maximum difference in height is 3 mm (1/8") over 2 metres (6' 9/16"). Any unevenness of more than 1 mm (3/64") over a length of 20 cm (7 7/8") must be levelled out. **6**
- Dry. The humidity needs to be less then 2.5% for installation in screed without floor heating, 2% in screed with floor heating, 0.6% in anhydrite screed and 10% in multiplex.



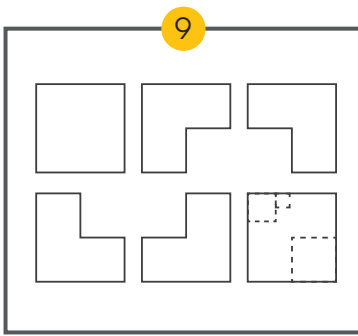
In theory, Parky can be installed on any underfloor that is solid and sound. The ideal installation circumstances are a temperature between 16°C (61°F) and 21°C (70°F) with an atmospheric humidity between 40% and 60%. **7**



## UNDERLAY **8**

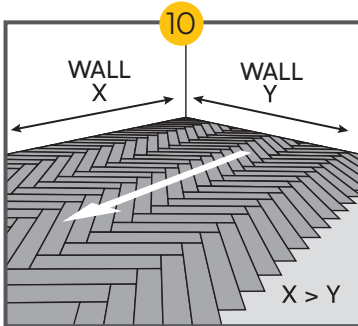
• For collections with an integrated cork layer, we recommend using our 150 micron Parky damp-proof foil under the floor. Allow an overlap of 30 cm (12"), stick the edges of the foil together with Parky moisture-resistant tape and make sure there are no holes in the foil. Leave 5 cm (2") foil around and up the walls to avoid any moisture getting under your floor.

• If your floor doesn't have an integrated cork layer, use our Basic or Silent underlay. In humid climates or when there is a humidity risk for your wall, we suggest folding the underlay 5 cm and laying it against and up the wall or using waterproof tape to seal the underlay against the wall. This will prevent moisture from damaging your floor.



## DEFINE YOUR FLOOR PLAN 9

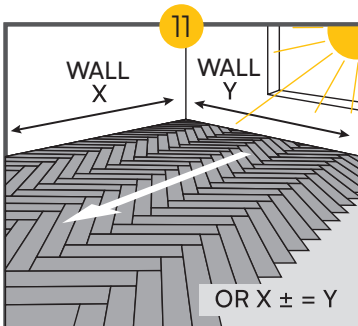
Use the Swing Calculator: [patterns.par-ky.com](https://patterns.par-ky.com)



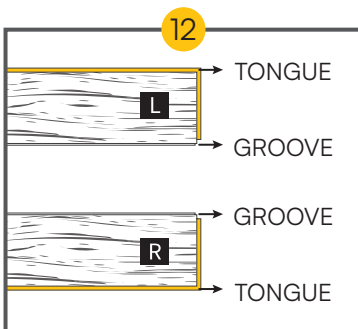
## LAYOUT

The laying direction of the planks can be determined using the Swing Calculator. For the best visual effect, we recommend choosing the direction of the floor based on the following elements:

1. The tip of the herringbone pattern (the "column direction") should preferably run in the same direction as the longest wall. 10
2. If there is no difference in wall length, the tip of the herringbone pattern should be aligned with the main entrance to the room.
3. If there are several entrances of equal importance, the tip of the herringbone pattern should run towards the wall that lets in the greatest amount of light. 11



Note: Some wood types are sensitive to changes in colour if they are exposed to UV light. It is natural for colours sometimes to get lighter or darker over time. Depending on the direction from which the planks are viewed, a colour difference may be observed between the left-hand and right-hand planks; this is an optical effect.

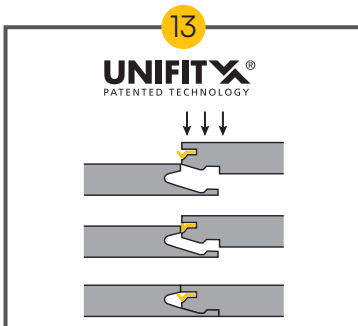


## INSTALLATION

We recommend mixing planks from different packs during installation to create a more uniform appearance.

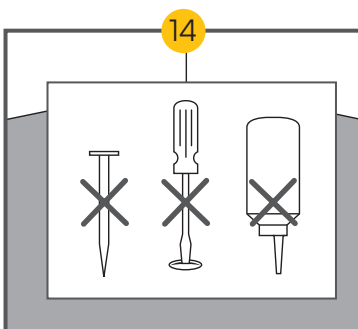
NOTE: there are LEFT-HAND and RIGHT-HAND planks. 12

Parky uses the Unifit X® system 13 to install floating floors without using glue, nails or screws. 14 The planks are held together using a click tongue-and-groove system. This system is faster and error-free.

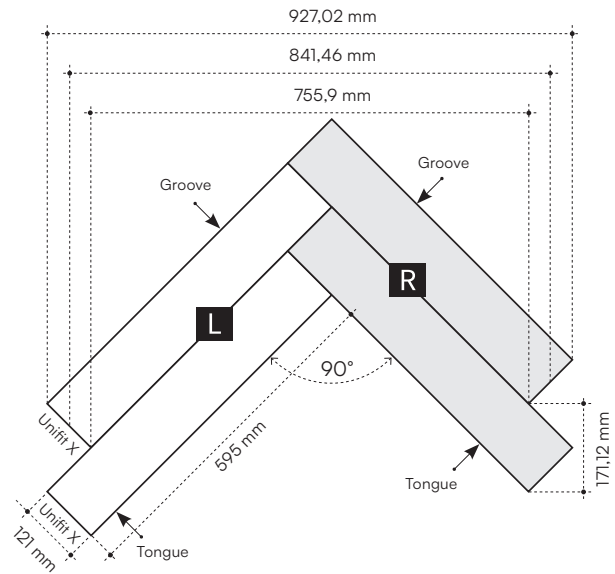
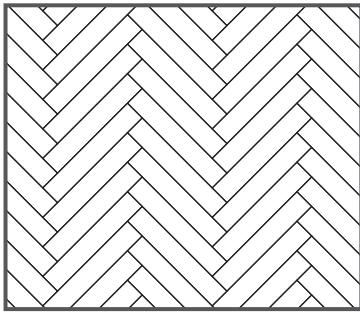


Parky is a real wood floor. Sufficient expansion gaps should therefore be left along each wall, around heating pipes, and around obstacles on the surface (door frames, for example).

The minimum expansion gap is 10 mm, or 1 mm per running metre. The expansion gaps can be covered with skirtings attached to the wall, but NEVER to the floor. For floors that are longer or wider than 10 m, an additional expansion gap must be provided using a T-profile. Heavy/fixed objects (such as kitchen islands, built-in cabinets, heavy stoves...) should be perceived as walls when installing flooring and therefore require the minimum expansion gap.

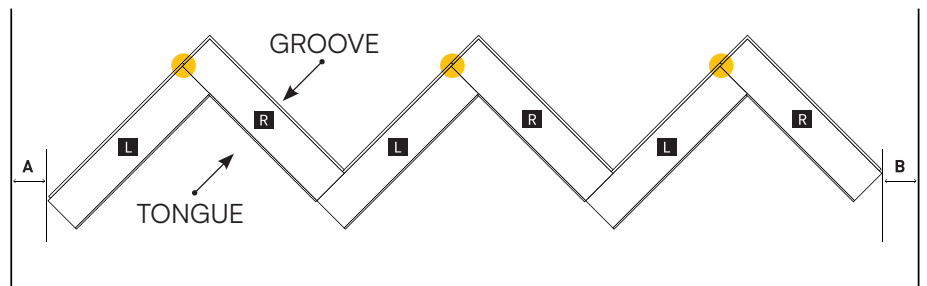


# SINGLE HERRINGBONE LAYING PATTERN

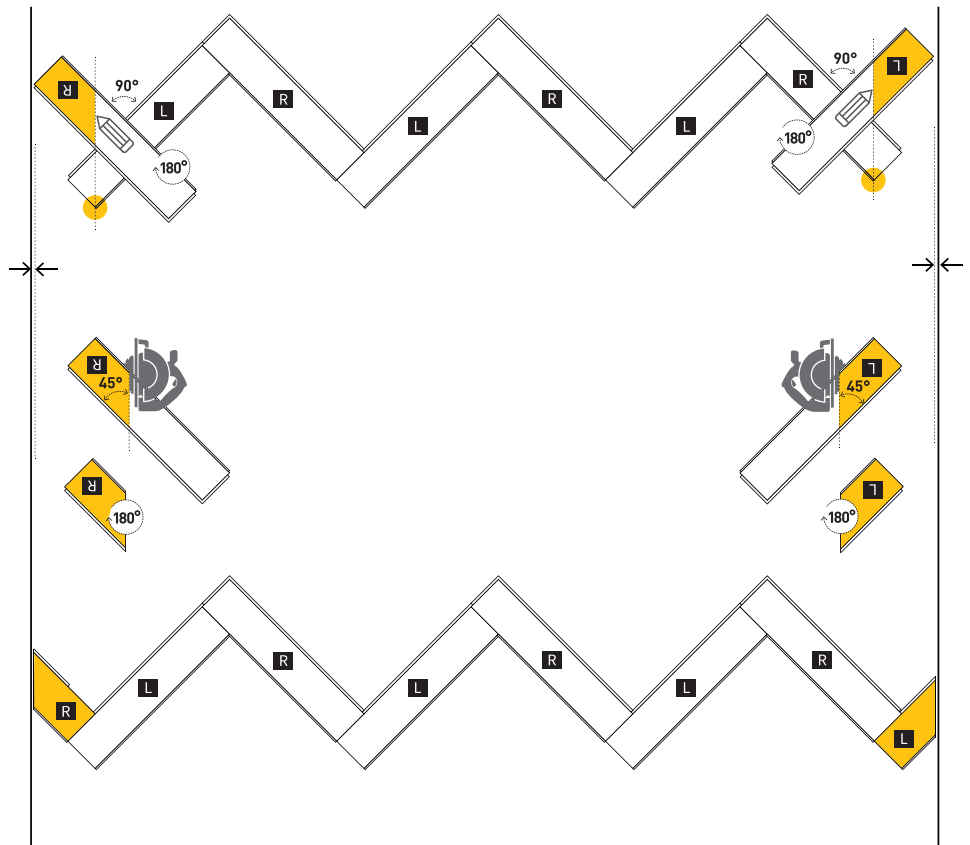


## LAYING THE FIRST ROW

When laying the first row, make sure that the tips and sides of the planks are perfectly aligned. Place the first row right in the centre of the room, so that the distance from A and B is identical.



Finish the first row up to the wall. Allow for an expansion gap of 10 mm along each wall on both sides.



Rotate the right-hand plank 180°, then mark it and saw it at a 45° angle. Rotate the sawn-off piece 180° and click it into the first plank.

Rotate the left-hand plank 180°, then mark it and saw it at a 45° angle. Rotate the sawn-off piece 180° and click it into the last plank.

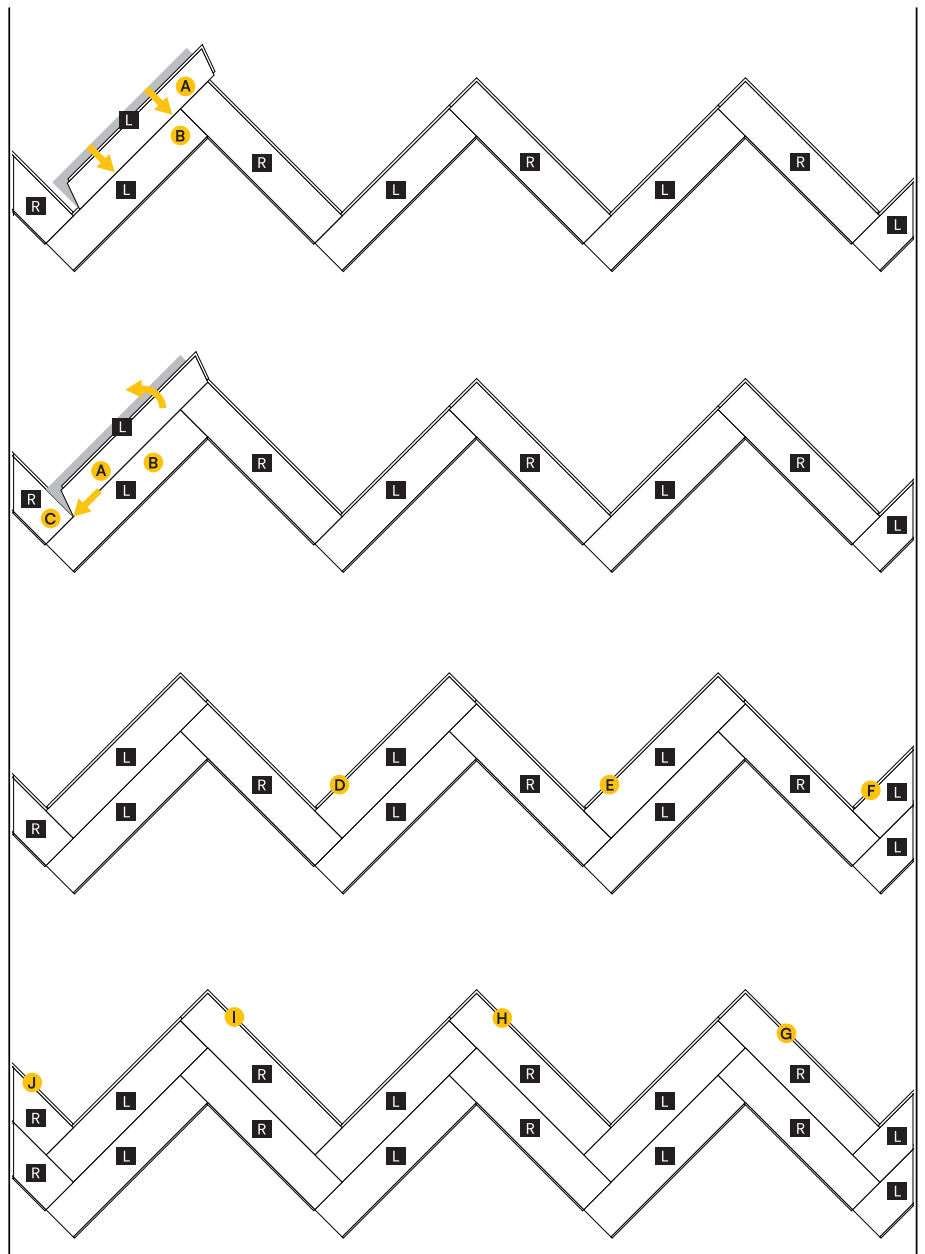
## LAYING THE SECOND ROW

Insert (at a shallow angle) the tongue on the long side of plank A (left-hand plank) into the groove on the long side of plank B.

Slide plank A right up against plank C, and push plank A down.

Then lay all left-hand planks (D, E, F) in the same way.

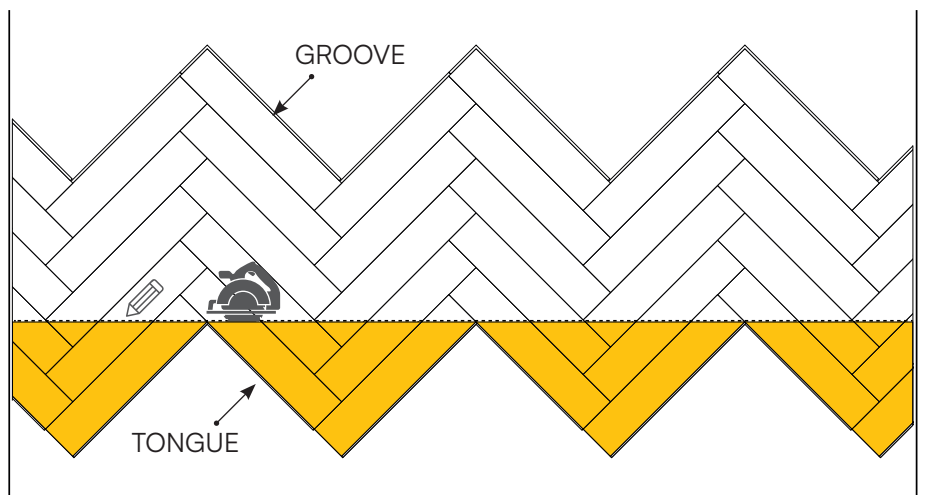
Now lay all right-hand planks (G, H, I, J) in the same way.



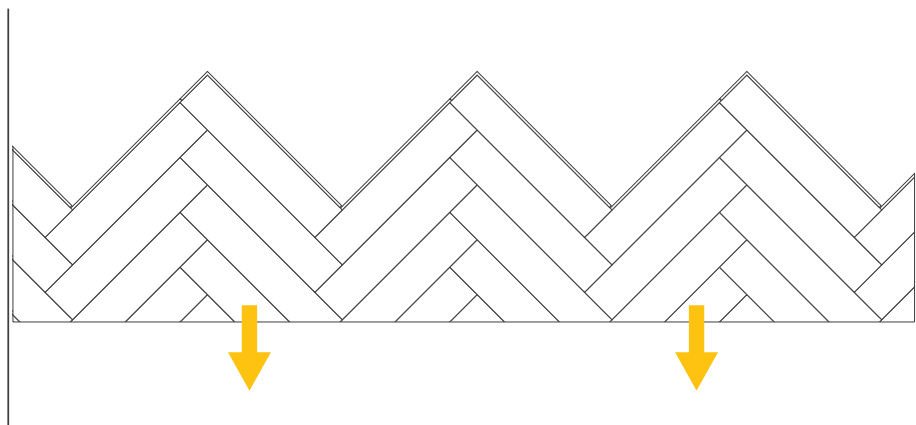
## LAYING SUBSEQUENT ROWS

Continue to construct the floor row by row. Alternate by laying the left-hand planks and then the right-hand planks. Finish the sides row by row.

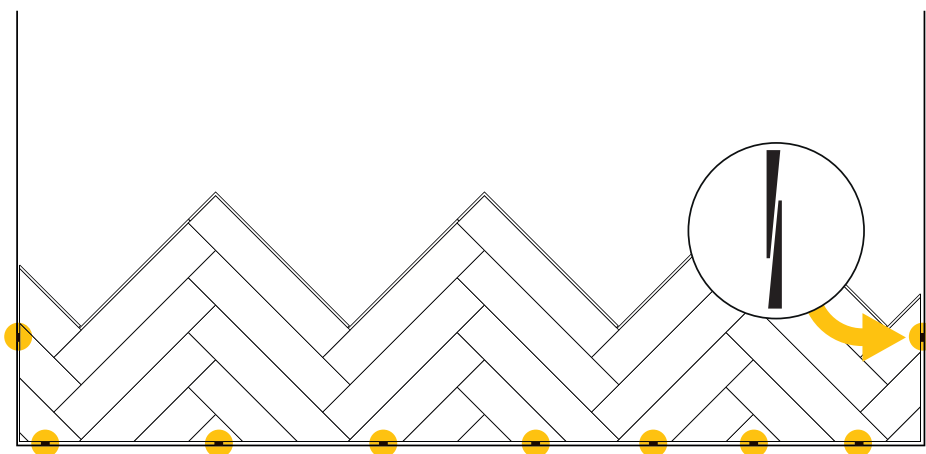
After completing a number of rows, saw off the tips. Place the sawn-off pieces to one side, to re-use them on the other side of the room.



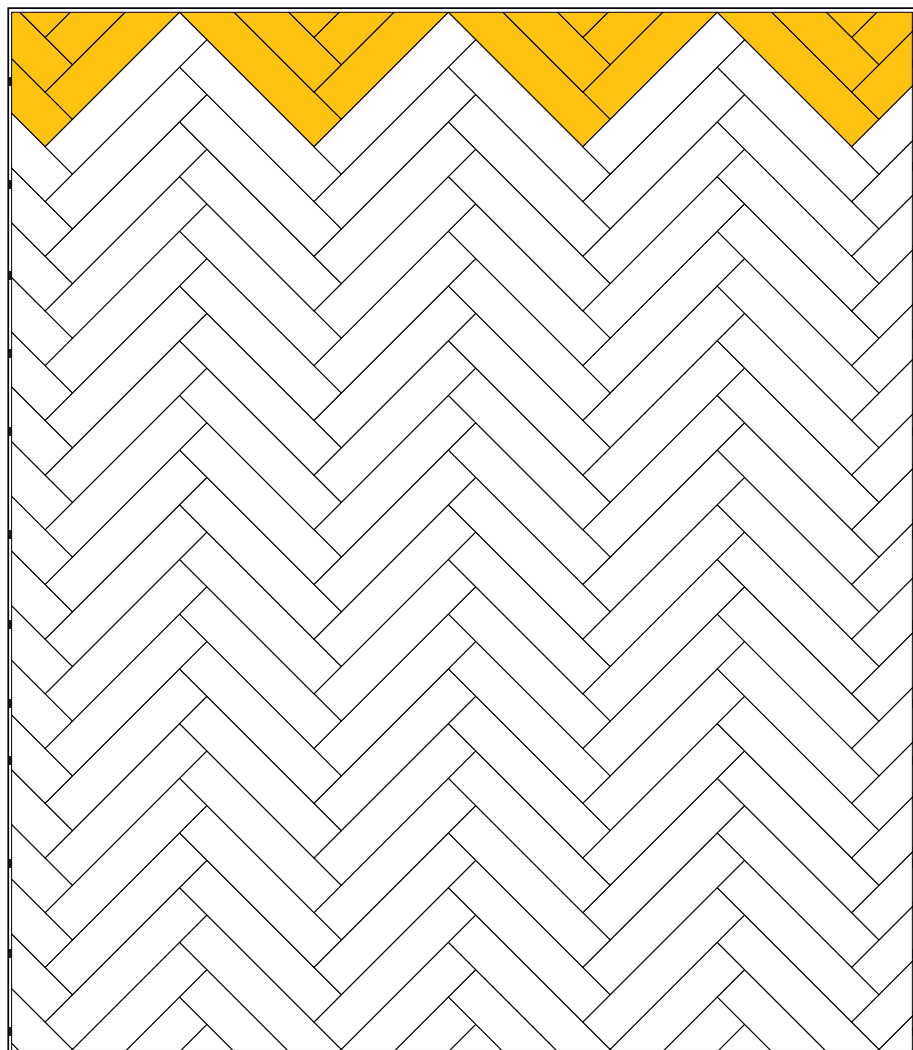
Push the sawn-off floor towards the wall, leaving a 10 mm gap.



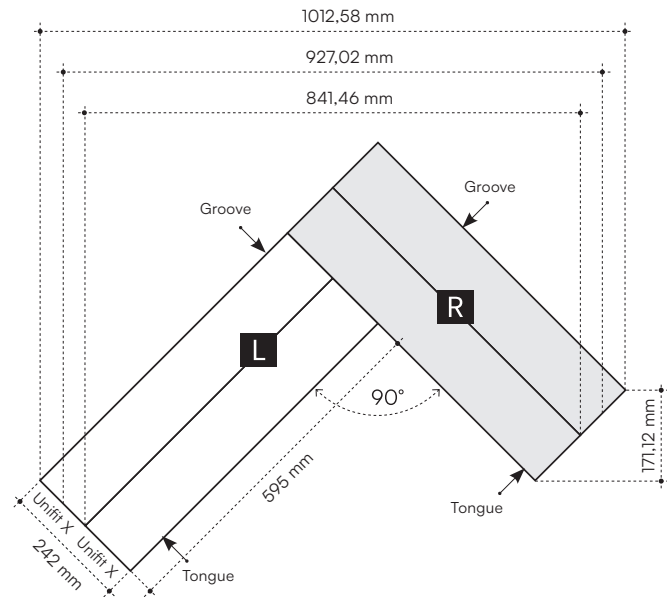
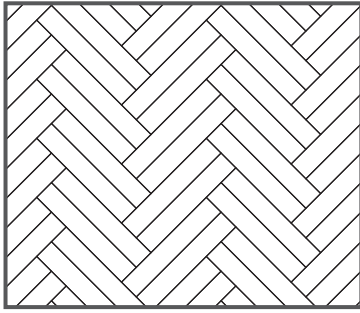
Place spacer blocks between the wall and the floor. Continue finishing the floor.



Use the saved sawn-off pieces to complete the installation on the other side of the room.

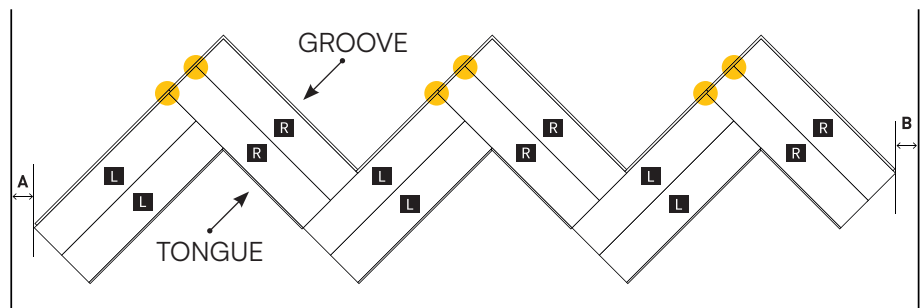


# DOUBLE HERRINGBONE LAYING PATTERN



## LAYING THE FIRST ROW

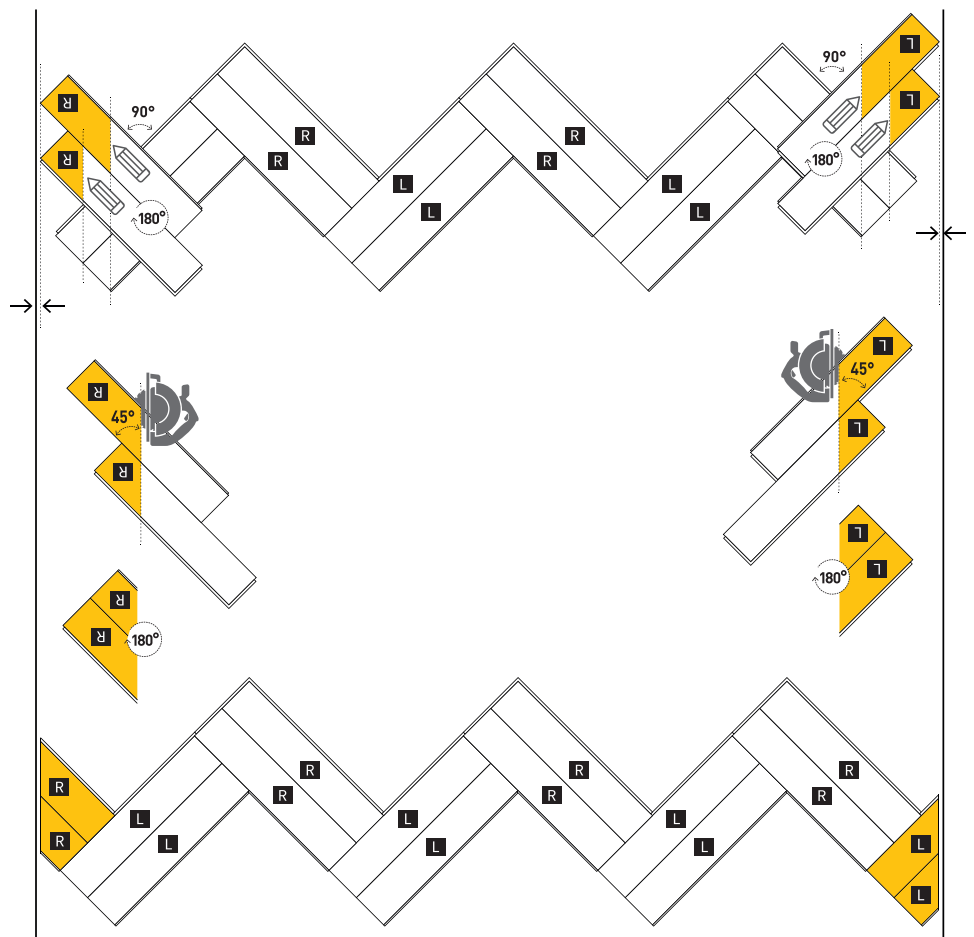
When laying the first row, make sure that the tips and sides of the planks are perfectly aligned. Lay the first row right in the centre of the room, so that the distance from A and B is identical.



Finish the first row up to the wall. Allow for an expansion gap of 10 mm along each wall on both sides.

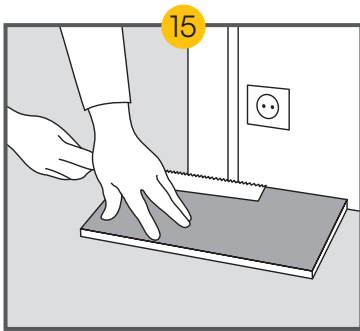
Rotate the right-hand plank 180°, then mark it and saw it at a 45° angle. Rotate the sawn-off pieces 180° and click them into the first planks.

Rotate the left-hand plank 180°, then mark it and saw it at a 45° angle. Rotate the sawn-off pieces 180° and click them into the first planks.



## LAYING SUBSEQUENT ROWS

Further finishing is identical to the laying pattern for single herringbone, but with two planks.

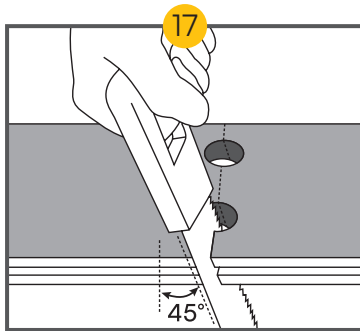
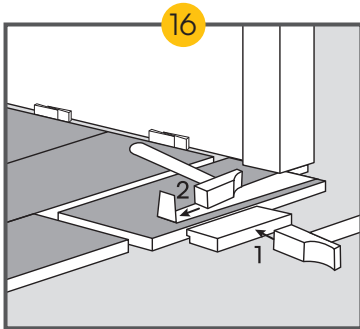


---

## DOORFRAMES

---

Cut the planks and make sure there is an expansion gap of 10 mm (3/8"). Use the pull bar in case it is not possible to click the plank into place. 15 16

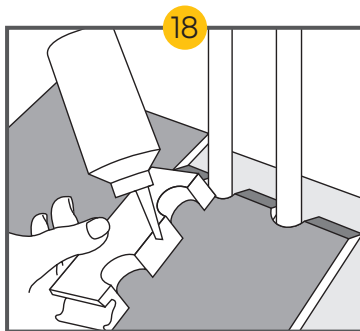


---

## HEATING PIPES

---

Carefully look at the drawing to determine the best way to saw the Parky plank when installing it near a heating pipe. It is important to follow these instructions for a nice result. Finish the installation by applying silicone around the pipes. It is important that the expansion gap is closed off to avoid moisture getting to your Parky floor. 17 18



---

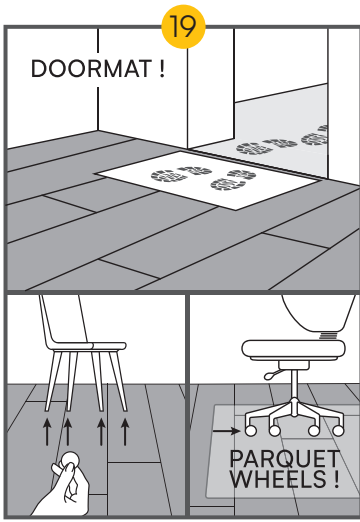
## THE FINISH

---

Due to a glue-free installation, you can immediately walk on the floor after installation. Remove all spacing blocks and install the skirtings. Never fix the skirtings to the floor, always to the wall. The floor needs to be able to expand and contract under the skirting. Use silicone in areas where skirtings are not possible.

In general, the floor has to be sealed to avoid moisture penetration.





## MAINTENANCE AND PROTECTION 19

Use the Parky cleaner to maintain your Parky floor. The cleaner removes the dirt without harming the lacquer and it gives your floor a nice look. Contact your dealer for stubborn spots.



For an optimal protection of your Parky floor, make sure to add:

- A doormat if the floor is installed at the entrance.
- Pieces of felt under the chairs.
- Parquet wheels under office chairs and a protection mat under the chair.



Did you install your new Parky floor?  
Share it with us!  
@parkyfloors #myparkyfloor

**PARKY**<sup>®</sup>  
wood flooring's finest

If you have any questions, don't hesitate to contact your local dealer or the head office in Belgium.

Decospan nv, Industriezone Grensland  
Lageweg 33, 8930 Menen - Belgium  
tel +32 56 52 88 49 - info@par-ky.com  
www.par-ky.com

**DECOSPAN**<sup>®</sup>